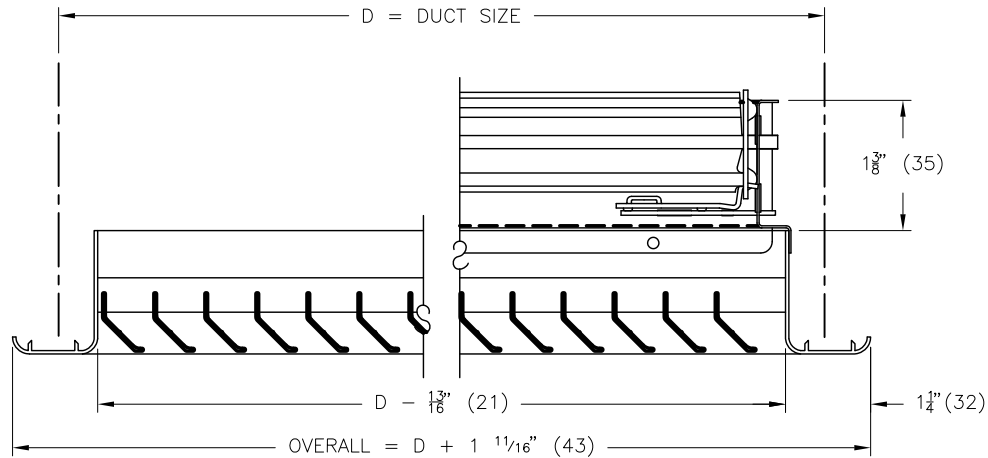


60,70 SERIES RETURN AIR GRILLES & REGISTERS

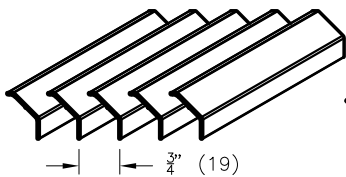


MODEL 60

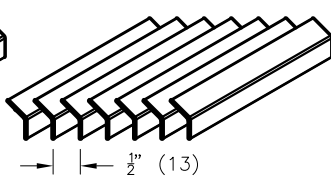
MODEL 60D

-CORE STYLES-

60

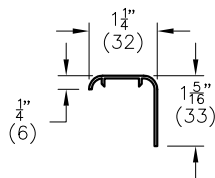


70

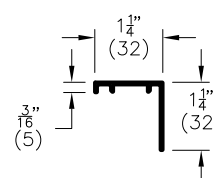


-BORDERS-

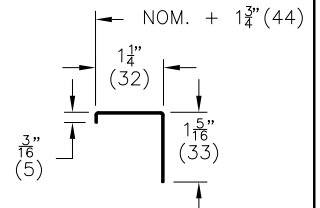
C CURVED FACE



F FLAT FACE



SF STEEL FRAME



FINISH:

- B12 WHITE (OPTIONAL FINISHES AVAILABLE)

OPTIONS:

- FOR OPTIONAL MOUNTING OR BORDERS REFER TO SHEET 2.
- C/W COATED STEEL OPPOSED BLADE DAMPER (SPECIFY 60D OR 70D).
- C/W ALUMINUM OPPOSED BLADE DAMPER MILL FINISH (SPECIFY 60DAL OR 70DAL).

MATERIAL:

- ALUMINUM CONSTRUCTION

NOTES:

- TYPE A FASTENING—COUNTERSUNK SCREW HOLES FOR NO.8 S.M.S. PER FACTORY STANDARD (SCREWS SUPPLIED).
- TYPE H FASTENING—FOR ED APPLICATION PILOT HOLE FOR PAN HEAD SMS. SCREW FACTORY STANDARD (SCREW SUPPLIED)
- AVAILABLE SIZES:
MIN. 6" x 4" (152x102)
MAX. 36" x 96" (914x2438)
MAX. 48" x 48" (1219x1219) WITH SF FRAME
- OVERSIZED UNITS AVAILABLE c/w DUCT MOUNTING CHANNEL.
- BLADE ORIENTATION:
- L = PARALLEL TO LONG DIMENSION.
- S = PARALLEL TO SHORT DIMENSION.

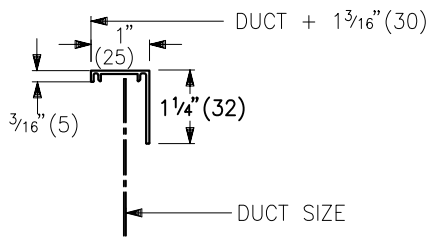
ALL METRIC DIMENSIONS () ARE SOFT CONVERTED. IMPERIAL DIMENSIONS ARE CONVERTED TO METRIC AND ROUNDED TO THE NEAREST MILLIMETER.

PROJECT:		PRICE®	
ENGINEER:		<i>MJ</i> 203509	60,70 SERIES RETURN AIR GRILLES
CUSTOMER:			
SUBMITTAL DATE:	SPEC. SYMBOL:	2015/05/22	

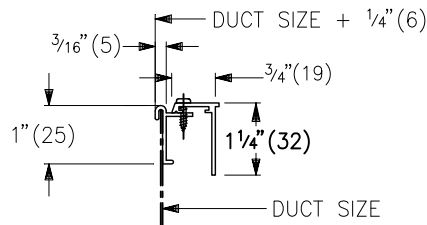
60,70 SERIES MOUNTING OPTIONS AND BORDERS

BORDERS

N - NARROW MARGIN

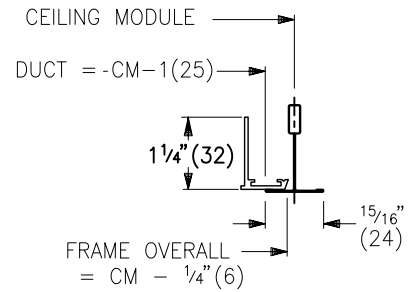


ED EXPOSED DUCT



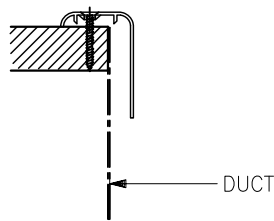
ED APPLICATION IS SUPPLIED COMPLETE WITH BORDER AND DUCT MOUNTING FRAME
 • AVAILABLE WITH TYPE H OR TYPE C FASTENING

TB LAYIN T-BAR



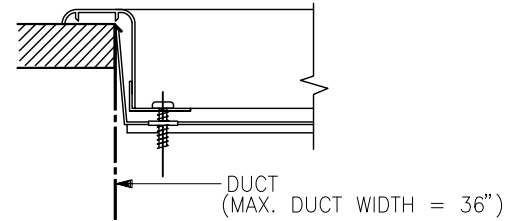
FASTENING

A - COUNTER SUNK SCREW
C BORDER ILLUSTRATED



H-STRAIGHT SCREW HOLES (FOR ED FRAME ONLY)

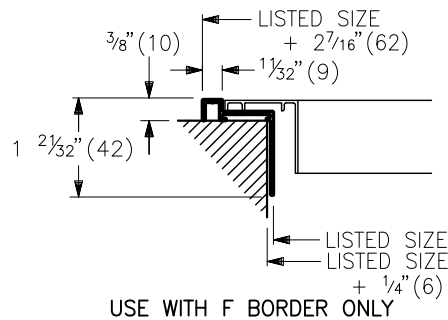
C - CONCEALED BRACKET
C BORDER ILLUSTRATED



NOT AVAILABLE WITH MODEL 70 RETURN GRILLE

MOUNTING FRAMES

D



USE WITH F BORDER ONLY

ALL METRIC DIMENSIONS () ARE SOFT CONVERTED. IMPERIAL DIMENSIONS ARE CONVERTED TO METRIC AND ROUNDED TO THE NEAREST MILLIMETER.

PROJECT:



ENGINEER:

Signature

60,70 SERIES

CUSTOMER:

203509

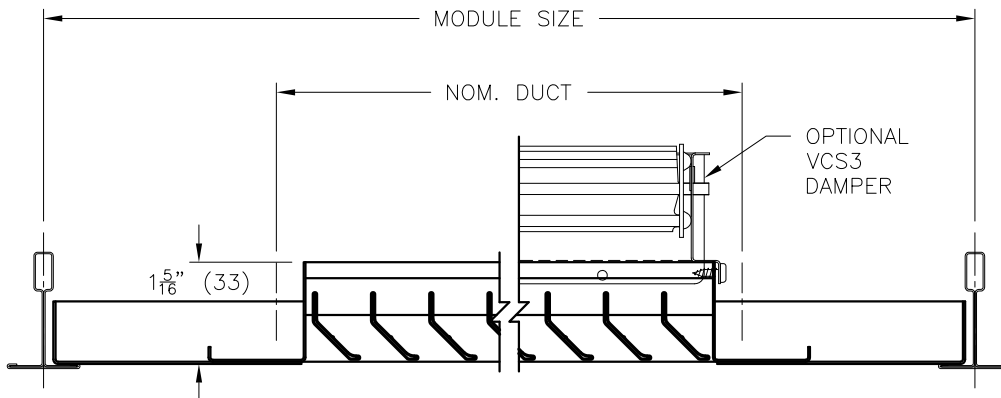
MOUNTING OPTIONS AND BORDERS

SUBMITTAL DATE:

SPEC. SYMBOL:

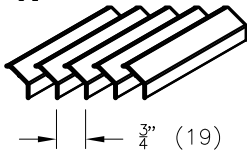
2015/05/22

PANEL MOUNTED 60 & 70 SERIES RETURN AIR GRILLES

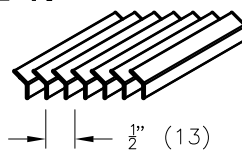


CORE STYLES:

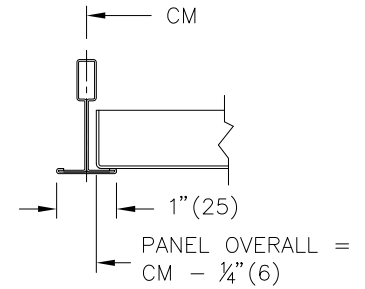
60



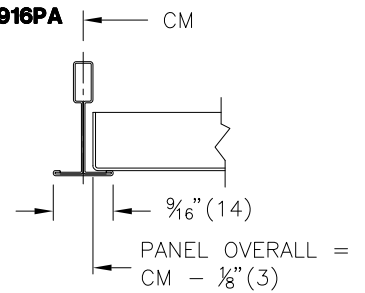
70



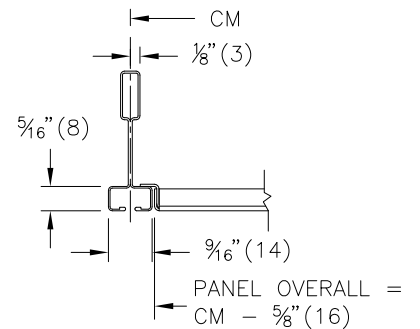
3P T-BAR
 3PA



916P T-BAR
 916PA



17P FINELINE T-BAR
 17PA



MATERIAL:

- BLADES: ALUMINUM CONSTRUCTION
- FRAME: STEEL CONSTRUCTION
- PANEL: STEEL CONSTRUCTION (3P, 916P & 17P)
 ALUMINUM CONSTRUCTION (3PA, 916PA & 17PA)

FINISH:

- FINISH OF PANEL TO MATCH GRILLE FINISH
- B12 WHITE
 (OPTIONAL FINISHES AVAILABLE)


NOTES:

- MAXIMUM NOMINAL GRILLE SIZE = MODULE SIZE - 4" (102)
- MODULE SIZE AND NOM. GRILLE SIZE MUST BE SPECIFIED
- NOMINAL MODULE SIZES:
 12" x 12" - 300mm x 300mm
 24" x 12" - 600mm x 300mm
 24" x 24" - 600mm x 600mm
 48" x 24" - 1200mm x 600mm
- FACTORY TOLERANCE ± 1/32" (± 1)

OPTION:

- 60DAL OR 70DAL c/w ALUMINUM OPPOSED BLADE DAMPER MILL FINISH
- 60D OR 70D c/w COATED STEEL OPPOSED BLADE DAMPER

ALL METRIC DIMENSIONS () ARE SOFT CONVERTED. IMPERIAL DIMENSIONS ARE CONVERTED TO METRIC AND ROUNDED TO THE NEAREST MILLIMETER.

PROJECT:		PRICE [®]	
ENGINEER:		 222063	60, 70 PANEL MOUNTED STYLES 3P & 916P RETURN AIR GRILLES
CUSTOMER:			
SUBMITTAL DATE:	SPEC. SYMBOL:	OCT 2012	